

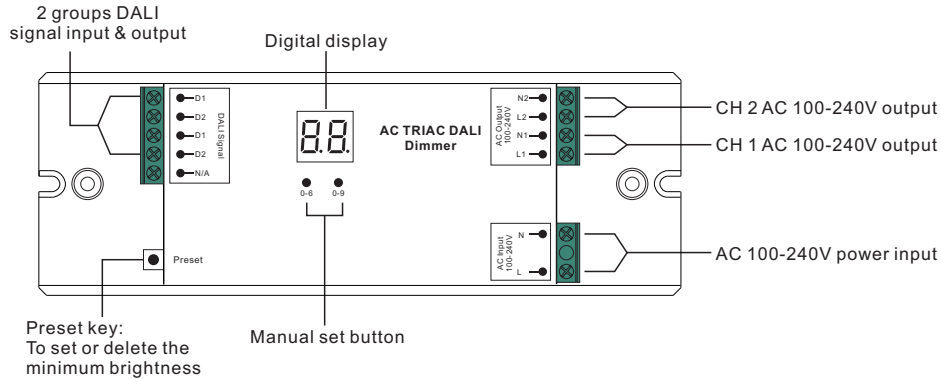
2 Channels AC TRIAC DALI Dimmer



KEPLER
electronics

Important: Read All Instructions Prior to Installation

Function introduction



Product Data

Input Voltage	Output Voltage	Output Current	Output Power	Size(LxWxH)
100-240VAC	2x(100-240)VAC	2x1.2A	2x(120-288)W	170x59x29mm

- Safe and reliable full isolation design
- Reverse-phase control dimmer
- DALI signal input
- Great compatibility with a variety of DALI master controllers
- 2 channels AC100-240V output
- Innovative minimum brightness setting function
- To dim and switch single color dimmable LED lamps, traditional incandescent and halogen lights
- Waterproof grade: Ip20

Safety & Warnings

- DO NOT install with power applied to the device.
- DO NOT expose the device to moisture.

Operation

1. Set DALI Address Manually Via Buttons



- 1.1. Press and hold down any of the two buttons until numeric digital display flashes, then release the button.
- 1.2. Click any of the two buttons once to select a digit, click again to change the digit until the desired DALI address appears. Click first button to set "tens" position and second button to set "units" position. The address can be set from 00~63.
- 1.3. Then press and hold down any of the 2 buttons until the numeric digital display stops flashing to confirm the setting.

Note: DALI address can be manually assigned from 00-63-FF, by factory defaults, no DALI address is

assigned for the driver, and the display shows **FF**. Setting DALI address as **FF** will reset the dimmer to factory defaults.

2. DALI Address Assigned by DALI Masters.

2.1 DALI address can also be assigned by DALI Master controller automatically, please refer to user manuals of compatible DALI Masters for specific operations.

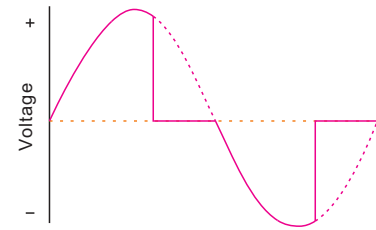
Note: The digital display will show **AU** when the DALI master is assigning addresses.

3. Set DALI Address Quantity.



- 3.1. Press and hold down both of the two buttons until numeric digital display flashes, then release the button.
 - 3.2. Click first button to select "1A" or "2A" which means 1 address or 2 addresses.
 - 3.3. Then press and hold down any of the 2 buttons until the numeric digital display stops flashing to confirm the setting.
- For example, when we set address to 22:
When select 1A, both two channels will be the same address 22.
When select 2A, channel 1 will be address 22, channel 2 will be address 23.es.

4. Reverse-phase control dimmer



5. Set the minimum dimming brightness point.

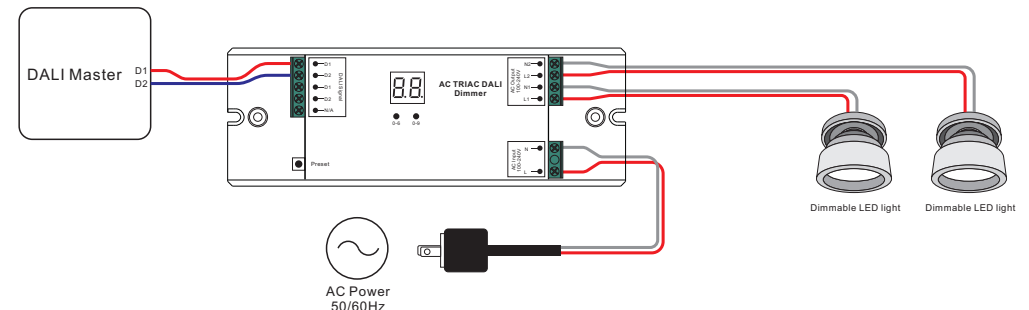
The factory dimming range is 0%~100%, but the 0% can be re-set as below:

Operate the DALI master to dim the light to any brightness you want, then press the Preset button, the light flashes, means the minimum point is set at this brightness now. You can not dim lower than this brightness point. The minimum point will be covered by repeating doing that.

How to reset it to factory defaults: dim up light to 100%, then press Preset button until flash.

Wiring Diagram

(1)With dimmable LED light



(2)With dimmable LED driver

