

User Manual MINI-RBS-E (EN)



Matter Over WiFi Smart Roller Shutter Wall Switch

User Manual V1.0

Introduction

A smart roller shutter wall switch that supports a maximum current of 1A for the motor as a load. It not only supports WiFi remote control but is also compatible with the Matter platform, enabling seamless integration with various smart home systems. Simply connect the device to the switch and motor correctly to easily upgrade regular electric curtains into a smart system.



Remote Control



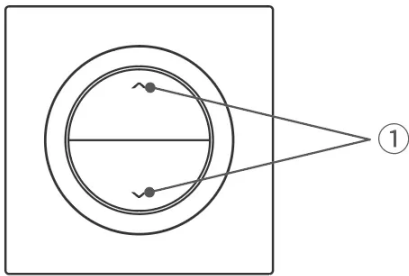
Matter Compatibility



Percentage Control



Smart Timer/Scene

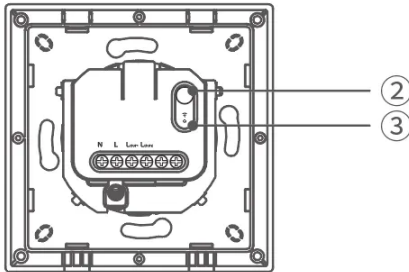


① Switch Button

- Long press: Open or close the curtains.

② Device Button

- Press and hold for 5 seconds: Device enters the pairing mode. (Pairing time 10 minutes)



③ LED indicator (Blue)

- Flashes two short and one long: Device is in pairing mode.
- Keeps on: Device is online.
- Flashes once: Offline
- Flashes twice: LAN

Platform Certification



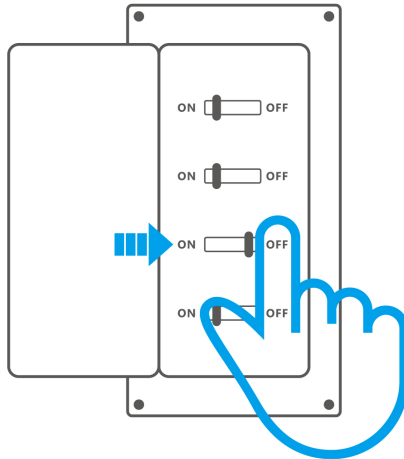
Specification

Product name	Orb-RBS
Product series	Fusion series
Product type	Matter over WiFi smart roller shutter wall switch
Model	MINI-RBS-E
MCU	ESP32
Rating	100-240V~ 50/60Hz 1A Max (M)
Wi-Fi	IEEE 802.11b/g/n 2.4GHz
Net weight	84.7g
Product dimension	86x86x34mm
Color	White

Casing material	PC
Diameter of wiring(recommend)	18AWG to 14AWG SOL/STR copper conductor only
Applicable place	Indoor
Working temperature	10T40 (-10°C~40°C)
Working humidity	5-95%RH, non-condensing
Certification	CE/RoHS

Installation

1. Power off



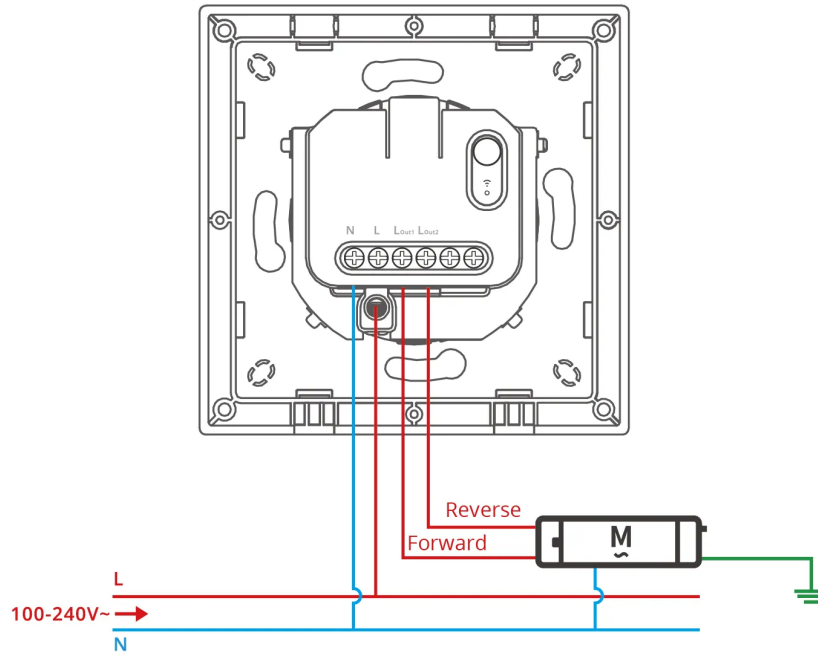
WARNING

Please install and maintain the device by a professional electrician. To avoid electric shock hazards, do not operate any connection or contact the terminal connector while the device is powered on!

2. Wiring instruction

⚠ To ensure the safety of your electrical installation, it's essential that either a Miniature Circuit Breaker (MCB) or a Residual Current operated Circuit-breaker with Integral Overcurrent protection (RCBO) with an electrical rating of 1A has been installed before the MINI-RBS-E.

⚠ Make sure all wires are connected correctly.



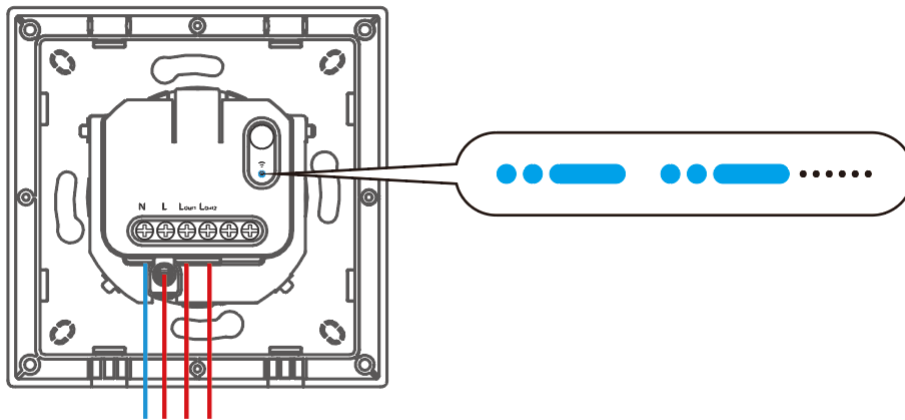
Instructions for wiring symbols

Terminals		Wires	
N	Neutral Line	N	Neutral Line
L	Live Line	L	Live Line (100–240V~)
L Out1	Live Output Terminal (100–240V~)	Forward Line	Motor Forward Line
L Out2	Live Output Terminal (100–240V~)	Reverse Line	Motor Reverse Line

3. Power on

When the device is used for the first time, it will enter pairing mode by default after being powered on. At this time, the LED indicator will flash in a pattern of "two short and one

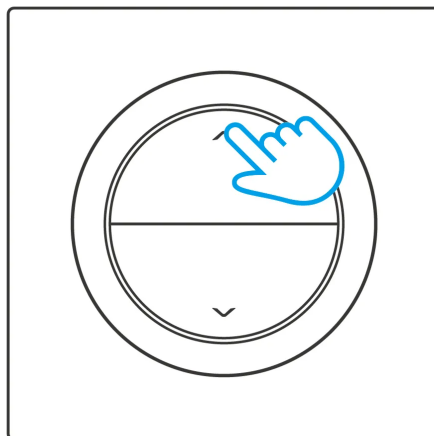
long".



⚠ The device will exit the Pairing Mode if not paired within 10mins. If you want to enter this mode, please long-press button for about 5s until the LED indicator changes in a cycle of two short and one long flash and release.

⚠ As the maximum one-way allowable continuous operation time for the motor in this device is 2mins, please pause the operation before the curtain reaches its limit position to avoid damaging the motor.

4. Roller shutter direction test



After pressing the switch, check if the roller blind moves in the correct direction. If not, turn off the power, swap the Lout1 and Lout2 wires, then test again.

 **Important Prerequisite Confirmation:**

Please select the appropriate section based on the ecosystem you are using (Matter or eWeLink). Follow the corresponding steps to complete the "Add Device" and "Travel Calibration" operations.

Matter Ecosystem User Guide

1. Add Device

Open a Matter-compatible App to scan the Matter QR code on the Quick Guide or the device itself to add the device.



Add to Apple via
Matter



Add to Google via
Matter




Add to Alexa via
Matter



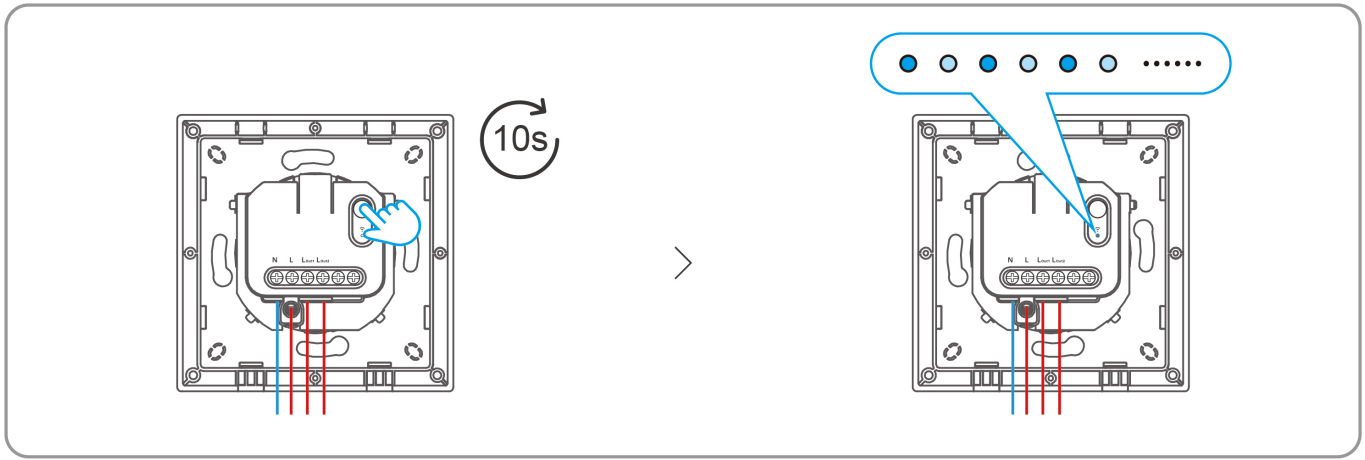
Add to
SmartThings via
Matter

2. Travel Calibration

 Using percentage control requires travel calibration. Please select one of the following two calibration options based on your needs.

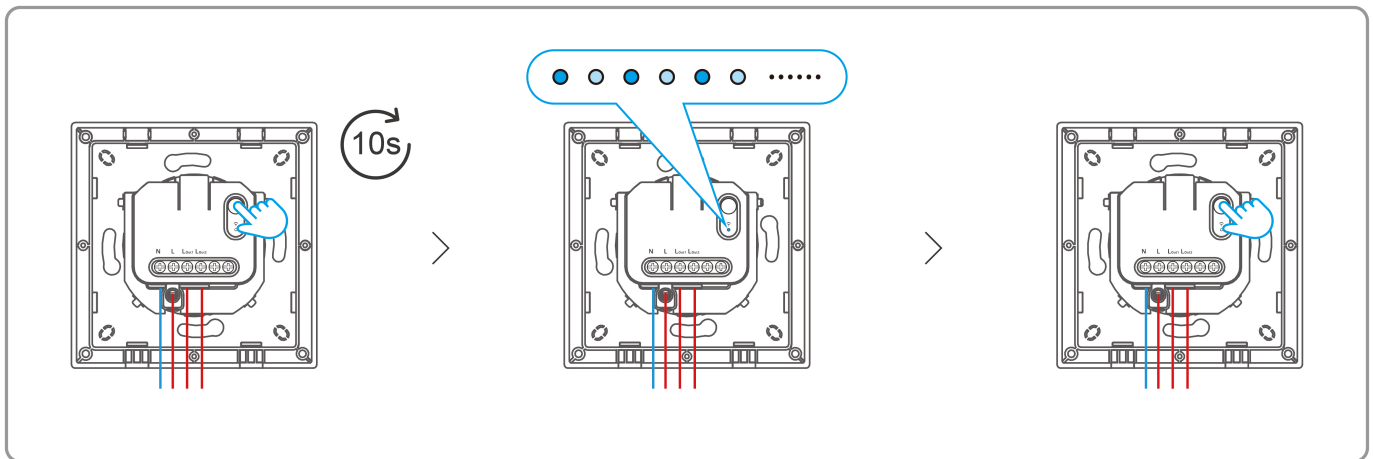
Method 1: Automatic calibration

① Press and hold the device button for more than 10 seconds until the LED indicator enters breathing mode. The device will then automatically control the motor for calibration.

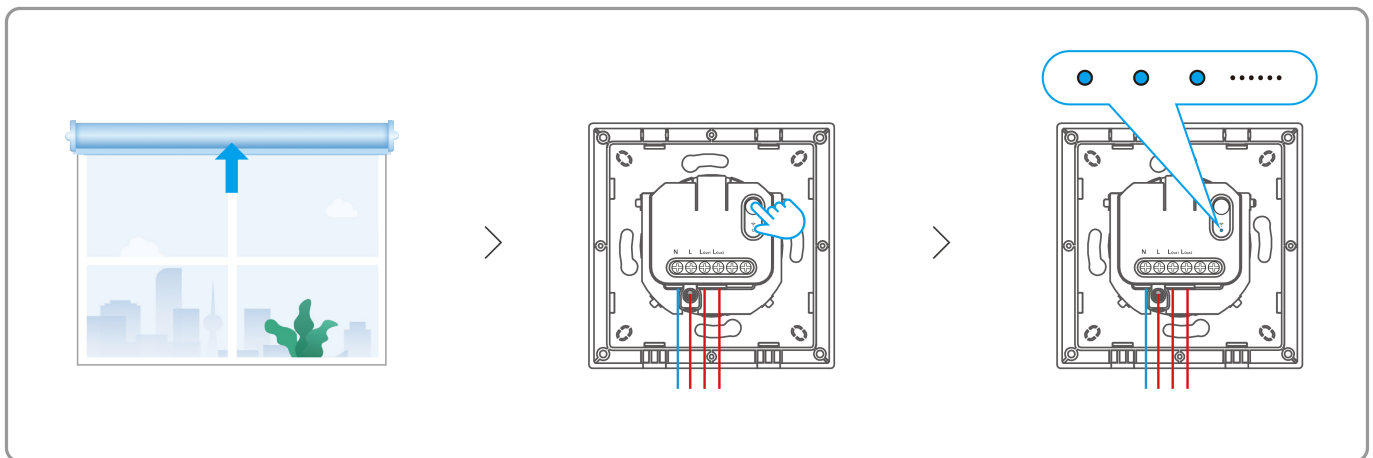


Method 2: Manual calibration

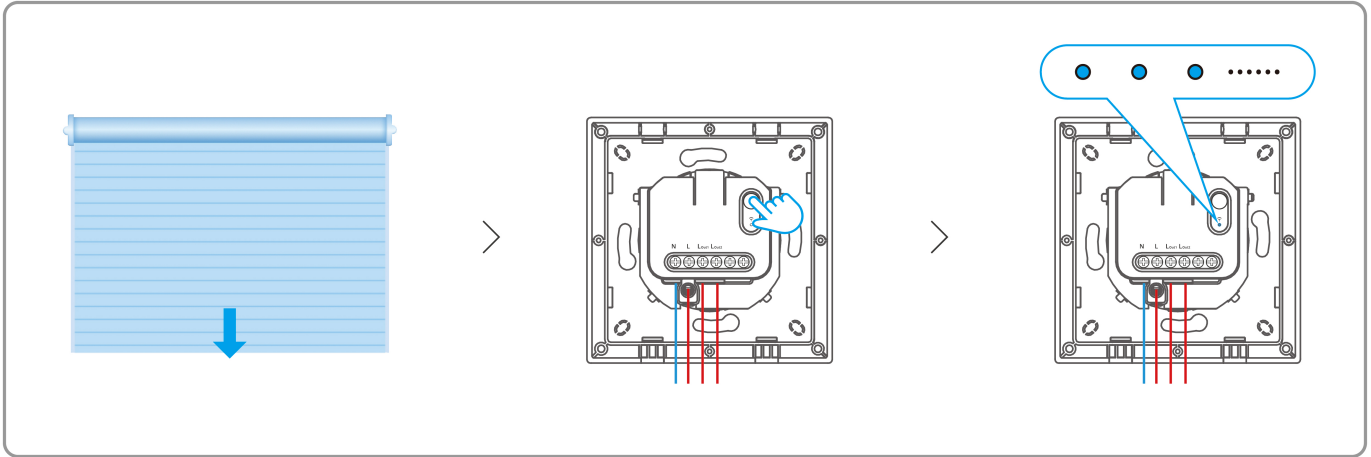
① Press and hold the device button for more than 10 seconds until the LED indicator enters breathing mode. Then, briefly press the device button to enter "Manual Calibration" mode.



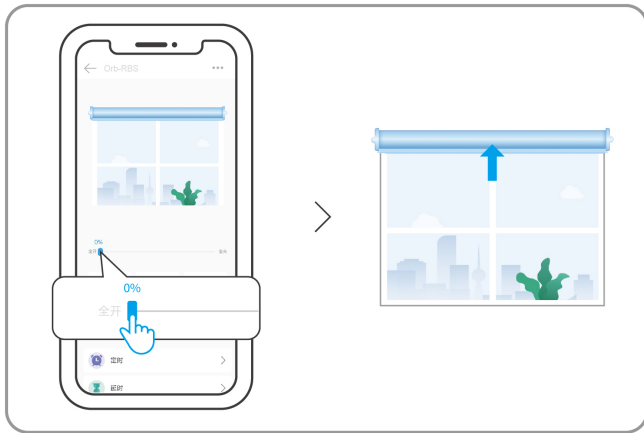
② Manually open the curtains completely, then briefly press the device button until the LED indicator flashes three times.



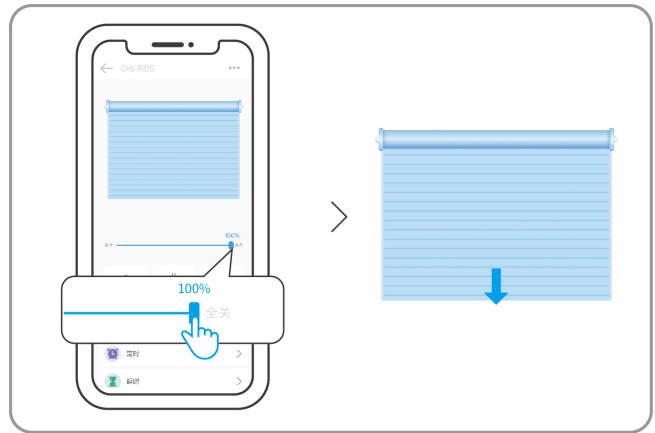
③ Wait for the device to automatically close the curtains, then briefly press the device button again until the LED indicator flashes three times. This completes the "Manual Calibration."



④ Control the device through the App and check the fully open or fully closed positions. If there is any discrepancy, you can recalibrate.



fully open



fully closed

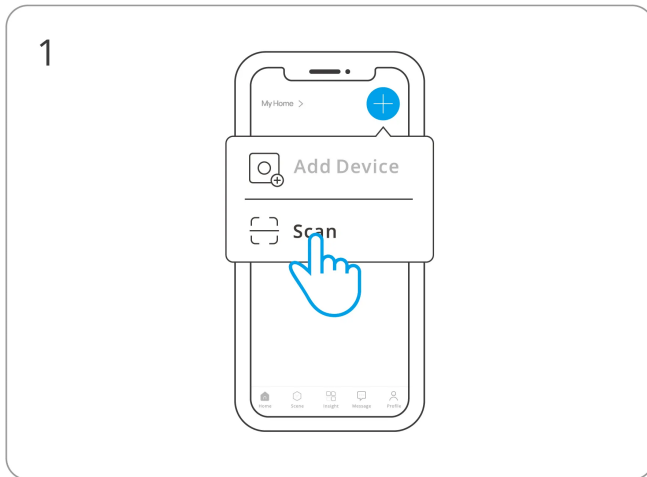
eWeLink Ecosystem User Guide

1. Add Device

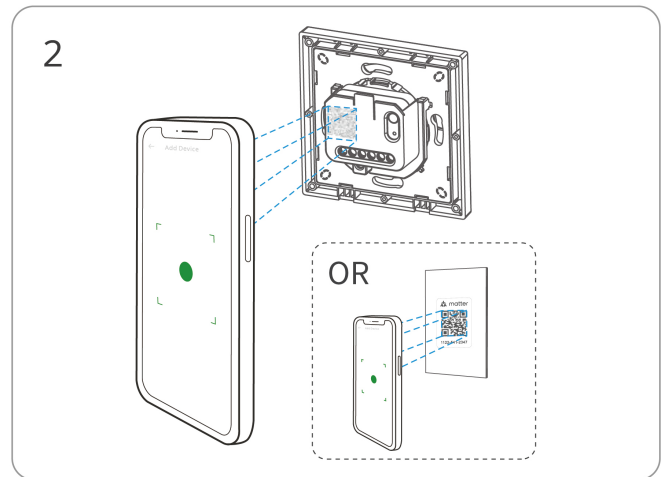
1.1. ① Download the eWeLink App

Please download the "eWeLink" App from [Google Play Store](#) or [Apple App Store](#).

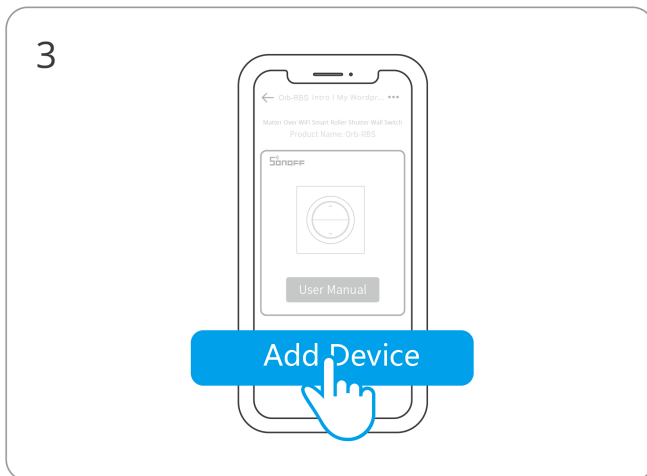
1.2. ② Scan QR code to add the device



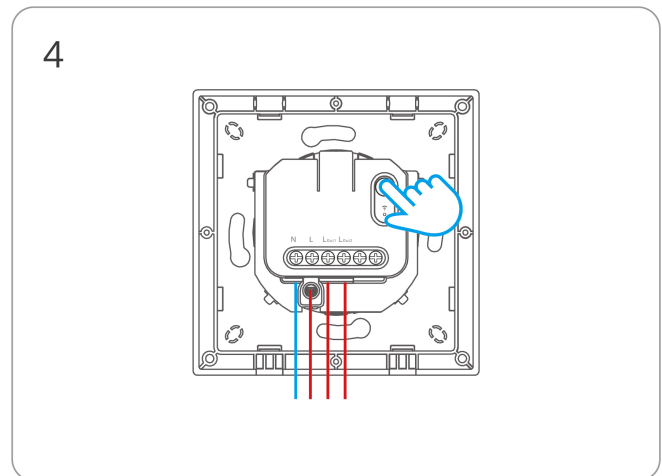
Enter "Scan"



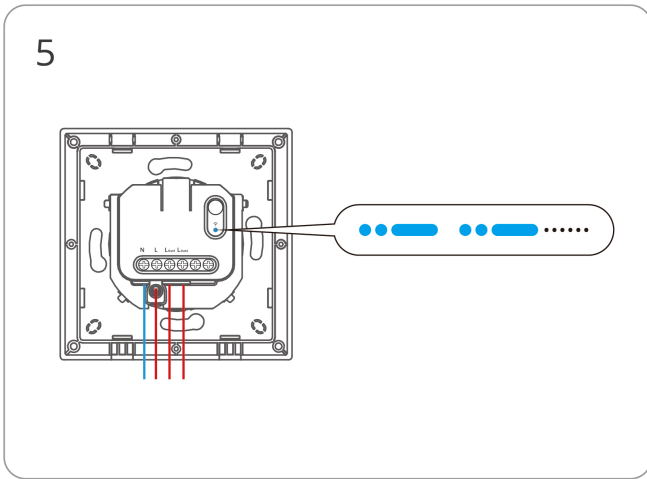
Scan the QR code on the quick guide or the device



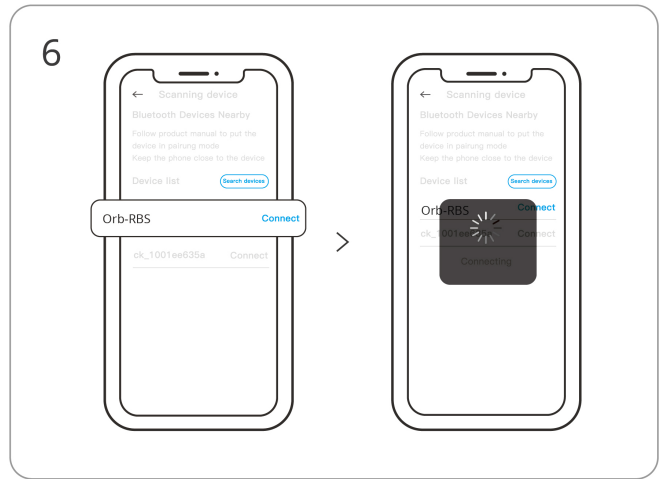
Select "Add Device"



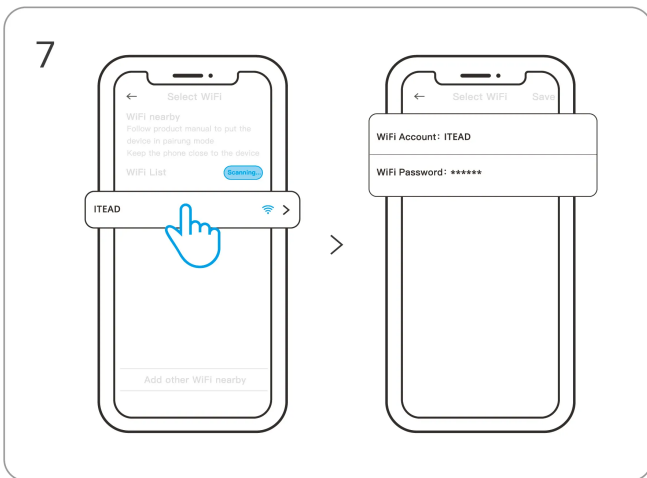
(If the device exits pairing mode)
Long press the button for 5 seconds



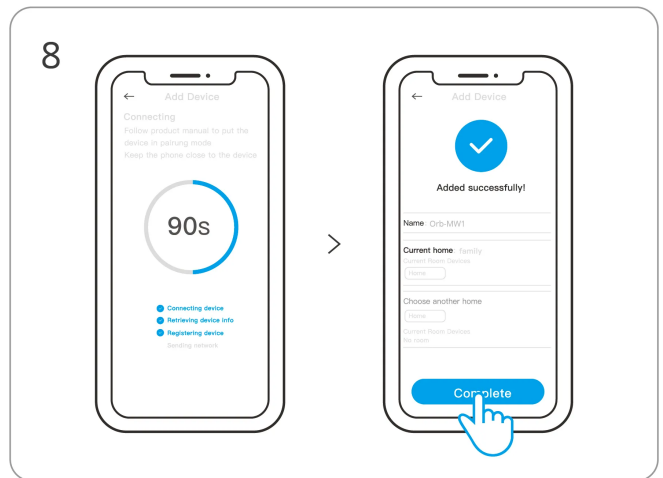
5
Check LED indicator flashing status
(Two short and one long)



6
Search for the device and start connecting



7
Select the "Wi-Fi" network and enter the password



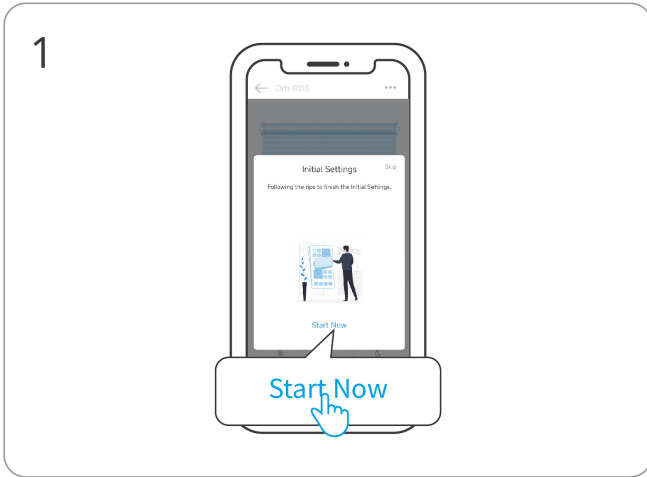
8
Device "Added completely"

2. Travel Calibration

⚠ Using percentage control requires travel calibration. Please select one of the following two calibration options based on your needs.

Users can use the "Travel Calibration" pop-up window in the eWeLink App, or open the "Initial Settings" on the device settings page and then perform "Automatic Calibration" or "Manual Calibration" according to the text instructions in the App.

2.1. Method 1: Automatic calibration

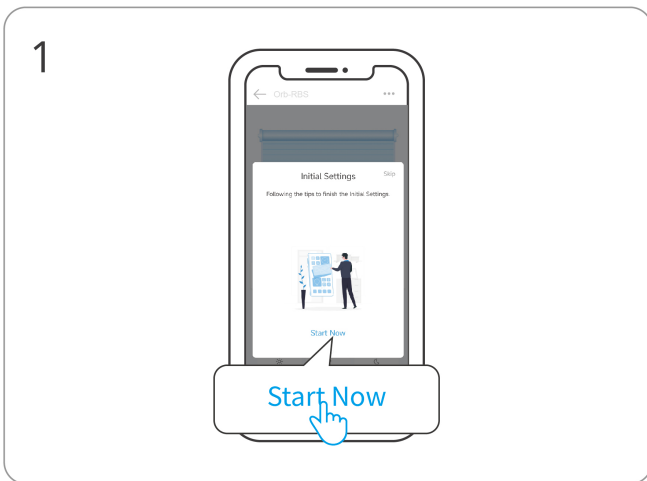


Click "Start Now"



Wait for the automatic calibration to complete

2.2. Method 2: Manual calibration



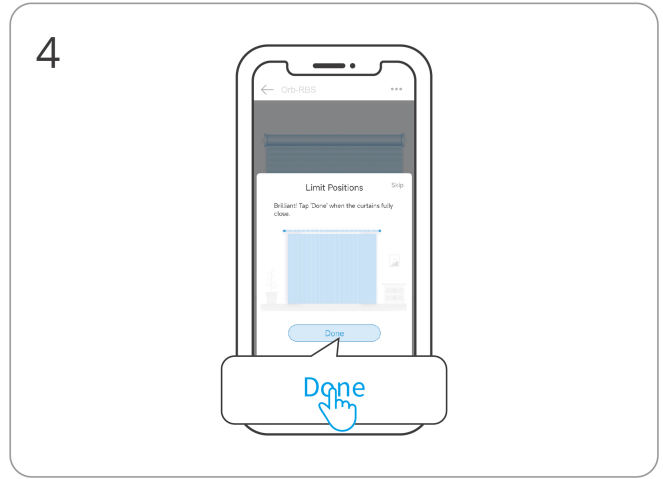
Click "Start Now"



Click "Manual"

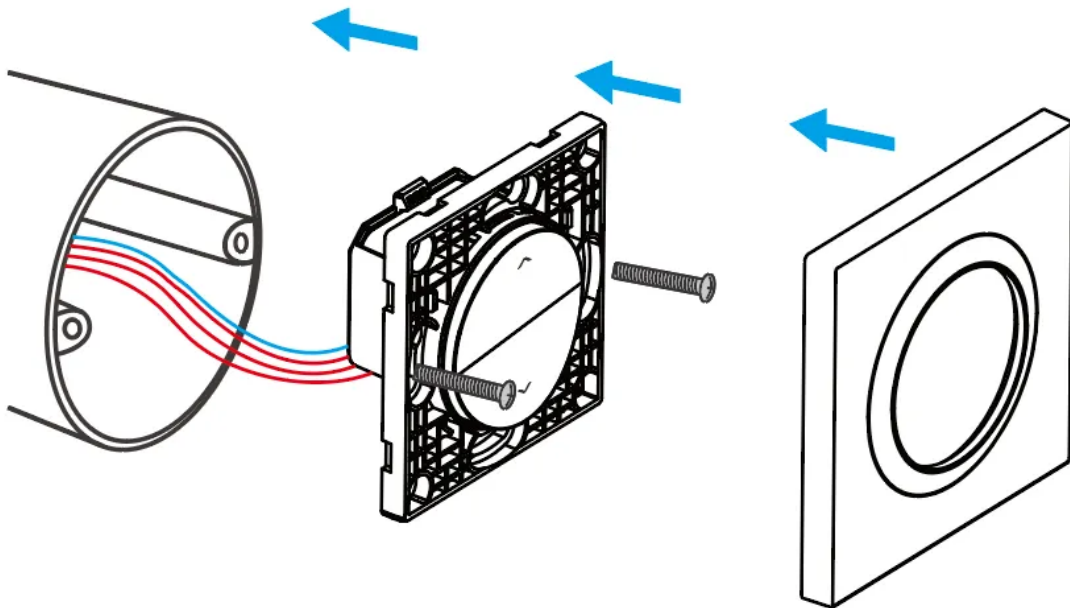


Select "Next" to mark the "fully open" position



Select "Done" to mark the "fully close" position

Installation



Factory Reset

Reset the device to factory settings by "Delete device" in the eWeLink App.

EU Declaration of Conformity

Hereby, Shenzhen Sonoff Technologies Co., Ltd. declares that the radio equipment type MINI-RBS-E is in compliance with Directive 2014/53/EU. The full text of the EU declaration of conformity is available at the following internet address:

<https://sonoff.tech/compliance/>

For CE Frequency

EU Operating Frequency Range:

Wi-Fi: 802.11 b/g/n20 2412–2472 MHz, 802.11 n40: 2422–2462 MHz

BLE: 2402–2480 MHz

EU Output Power:

Wi-Fi 2.4G \leq 20dBm

BLE \leq 20dBm

WEEE Disposal and Recycling Information



WEEE Disposal and Recycling Information All products bearing this symbol are waste electrical and electronic equipment (WEEE as in directive 2012/19/EU) which should not be mixed with unsorted household waste. Instead, you should protect human health and the environment by handing over your waste equipment to a designated collection point for the recycling of waste electrical and electronic equipment, appointed by the government or local authorities. Correct disposal and recycling will help prevent potential negative consequences to the environment and human health. Please contact the installer or local authorities for more information about the location as well as terms and conditions of such collection points.

Warning

Under normal use of condition, this equipment should be kept at a separation distance of at least 20 cm between the antenna and the body of the user.

Dans des conditions normales d' utilisation, cet équipement doit être maintenu à une distance d' au moins 20 cm entre l' antenne et le corps de l' utilisateur.

Scatola	Manuale	Borsa	Borsa
PAP 21	PAP 22	CPE 7	LDPE 4
Carta	Carta	Plastica	Plastica

RACCOLTA DIFFERENZIATA

Verifica le disposizioni del tuo Comune.

Separa le componenti e conferiscile in modo corretto.

SONOFF

Manufacturer: Shenzhen Sonoff Technologies Co., Ltd.

Address: 3F & 6F, Bldg A, No. 663, Bulong Rd, Shenzhen, Guangdong, China

ZIP code: 518000

Service email: support@itead.cc

Website: sonoff.tech

Made in China



Points de collecte sur www.quefairedemesdechets.fr
Privilégiez la réparation ou le don de votre appareil !

