

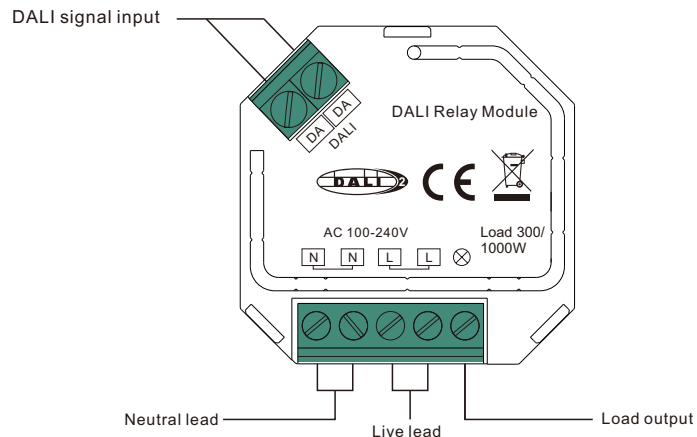
DALI-2 Relay Module

70040043



Important: Read All Instructions Prior to Installation

Function introduction

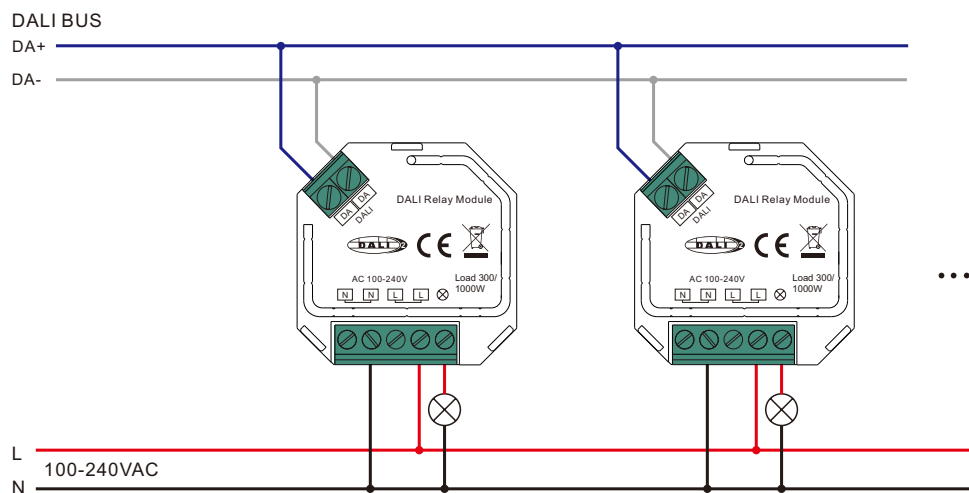


- DALI-2 relay module
- 100-240VAC power input
- 1 DALI address can be assigned by DALI master controller
- Compatible with DALI and DALI-2 versions
- Compliant to IEC 62386-208
- Loads that do not have a DALI input can therefore be integrated in the DALI circuit
- 1 channel actuator (switch) with DALI-2 input
- Switching voltage 100-240VAC
- Mini Size, easy to be Installed into a standard wall box
- Compliant DALI device type 7
- 5 years warranty
- Waterproof grade: IP20

Safety & Warnings

- DO NOT install with power applied to device.
- DO NOT expose the device to moisture.

Wiring diagram



Product Data

Input				Output, relay		
DALI control input	DALI consumption	Number of DALI addresses	Power input	Switching voltage	Current	Type of contact
1	< 3mA	1	100-240VAC, 50/60Hz	100-240VAC	Resistive load: max. 4.3A Capacitive load: max. 1.3A Inductive load: max. 4.3A	1 normally closed

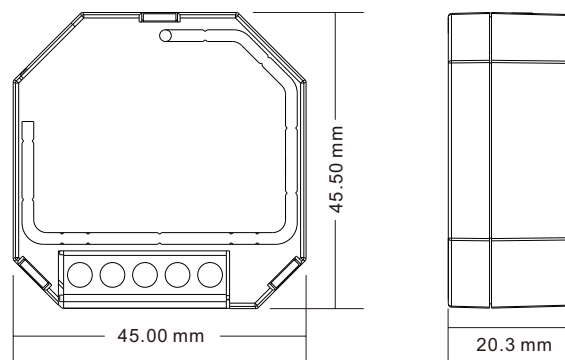
Compatible Load Types		
Load Symbol	Load Type	Maximum Load
	Resistive loads Conventional incandescent and halogen light sources	1000W @ 230VAC
	Capacitive loads Fluorescent tube lamp (compact / with electronic ballast), electronic transformer, LED	300W @ 230VAC
	Inductive loads Ferromagnetic transformers	1000W @ 230VAC

Operation

Setting DALI Address:

1 DALI address can be assigned by DALI Master controller automatically, please refer to user manuals of compatible DALI Masters for specific operations.

Product Dimension



KEPLER
electronics